

ETM ARMATUREN

Europe Technology Manufacturer



INDUSTRIAL VALVES

2018 Full Open Design

Y-STRAINER
GATE VALVES
GLOBE VALVES
CHECK VALVES
BELLOWS SEAL VALVES

BS EN 14341-2011

STEEL CHECK VALVES



ETM ARMATUREN

Add: Oubei town, Yongjia county, WenZhou City, ZheJiang province, China, 325102

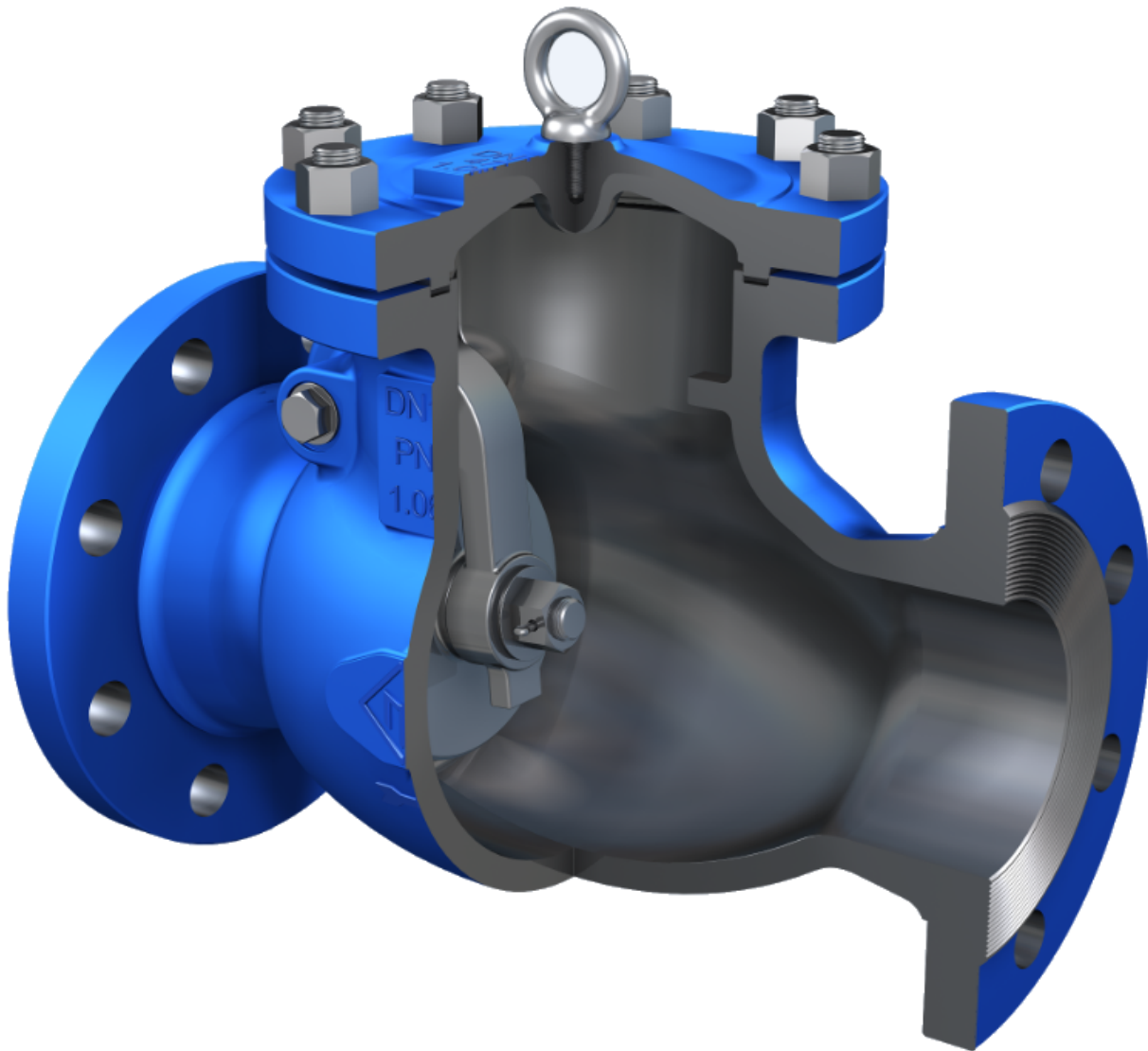
Phone: +86 577 6795 3935 Fax: +86 577 6798 3935

E-mail: info@etmarmaturen.de - <http://www.etmarmaturen.com>

CLIMAX

Full Open Design

EN558-1 S1



CE 0036

ISO 9001-2008
CERTIFIED

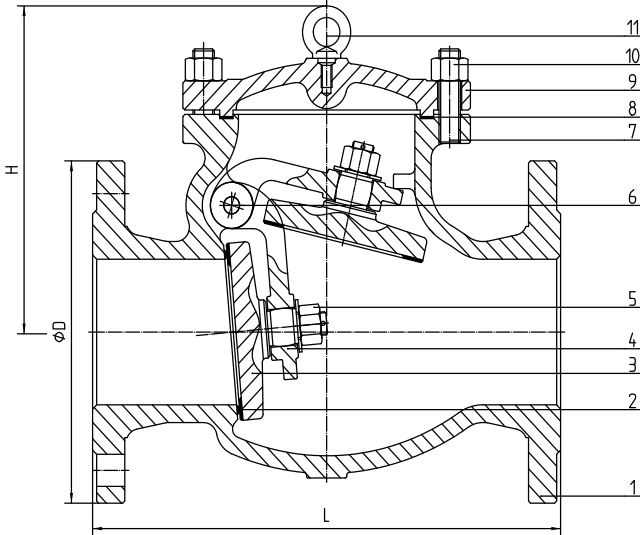


TÜV Rheinland
AD 2000 Merkblatt W0
APPROVED



standard features

- **Description** BOLTED COVER
FULL OPEN
- **Design** BS EN 14341
DIN 3840
- **Face to face** BS EN 558-1 S.48
BS EN 558-1 S.1
- **Flanges** BS EN 1092
BW TO BS EN 12627
- **Testing** BS EN 12266-A
- **Rating** BS EN 12516
- **Marking** EN 19
CE - PED
- **Certificates** EN 10204 – 3.1 B



PART NAME	MATERIAL		
	1.0619	1.4308	1.4408
1.Body	1.0619	1.4308	1.4408
2.Seat Surface	Overlay X20Cr13	1.4308	1.4408
3.Disc Seat Surface	X20Cr13	1.4308	1.4408
4.Arm	1.0619	1.4308	1.4408
5.Hexagon Nut	SS304	SS304	SS316
6.Pin	SS304	SS304	SS316
7.Bolts	ASTM A193 B7	ASTM A193 B8	ASTM A193 B8
8.Gasket	SS304+Graphite	SS304+Graphite	SS316+Graphite
9.Cover	1.0619	1.4308	1.4408
10.Hexagon Nut	ASTM A194 2H	ASTM A194 8	ASTM A194 8
11.Eye Bolt	C.S Gr8.8	C.S Gr8.8	C.S Gr8.8

All data, subject to technical changes, are only for information and not for official use.

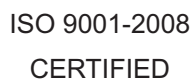




FIG.C.260 SWING CHECK VALVES DIN PN16 Face to Face F6

SIZE DN	50	65	80	100	125	150	200	250	300	350	400	500	600	700	800	900	1000
L RF/BW	200	240	260	300	350	400	500	600	700	800	900	1100	1300	1500	1700	1900	2100
D	165	185	200	220	250	285	340	405	460	520	580	715	840	910	1025	1125	1255
H	150	180	200	225	270	300	355	390	445	495	530	620	730	--	--	--	--

FIG.C.261 SWING CHECK VALVES DIN PN16 Face to Face F1

SIZE DN	50	65	80	100	125	150	200	250	300	350	400	500	600	700	800	900	1000
L RF/BW	230	290	310	350	400	480	600	730	850	980	1100	1250	1450	1650	1850	2050	2250
D	165	185	200	220	250	285	340	405	460	520	580	715	840	910	1025	1125	1255
H	150	180	200	225	270	300	355	390	445	495	530	620	730	--	--	--	--

FIG.C.262 SWING CHECK VALVES DIN PN25 Face to Face F1

SIZE DN	50	65	80	100	125	150	200	250	300	350	400	500	600	700	800	900	1000
L RF/BW	230	290	310	350	400	480	600	730	850	980	1100	1250	1450	1650	1850	2050	2250
D	165	185	200	235	270	300	360	425	485	555	620	730	845	960	1085	1185	1320
H	165	180	200	235	270	300	360	425	485	495	530	740	--	--	--	--	--

FIG.C.263 SWING CHECK VALVES DIN PN40 Face to Face F1

SIZE DN	50	65	80	100	125	150	200	250	300	350	400	500	600	700	800	900	1000
L RF/BW	230	290	310	350	400	480	600	730	850	980	1100	1250	1450	1650	1850	2050	2250
D	165	185	200	235	270	300	375	450	515	580	660	775	890	995	1140	1250	1360
H	150	180	200	225	270	300	355	390	445	495	530	740	--	--	--	--	--

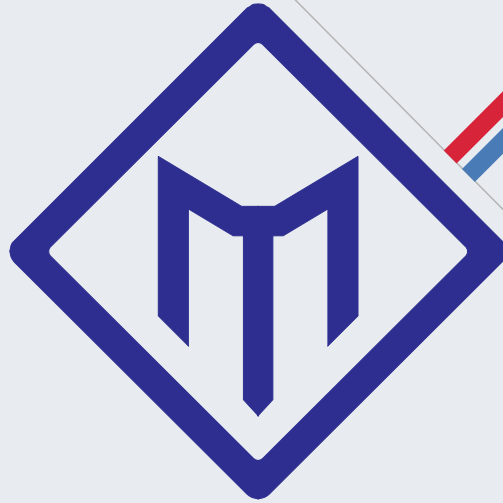
features on request

- | | |
|--|--|
| <input type="radio"/> DISK WITH PTFE OR RUBBER | <input type="radio"/> BY-PASS |
| <input type="radio"/> LEVER AND WEIGHT | <input type="radio"/> DRAIN PLUG |
| <input type="radio"/> SHOCK ABSORBER | <input type="radio"/> BW ENDS |
| <input type="radio"/> LOCKING DEVICE | <input type="radio"/> RTJ FLANGES |
| <input type="radio"/> INTEGRAL SEAT | <input type="radio"/> ANSI CONNECTIONS |

All dimensions in mm (except where differently indicated)

All data, subject to technical changes, are only for information and not for official use.





ETM ARMATUREN

Europe Technology Manufacturer

